

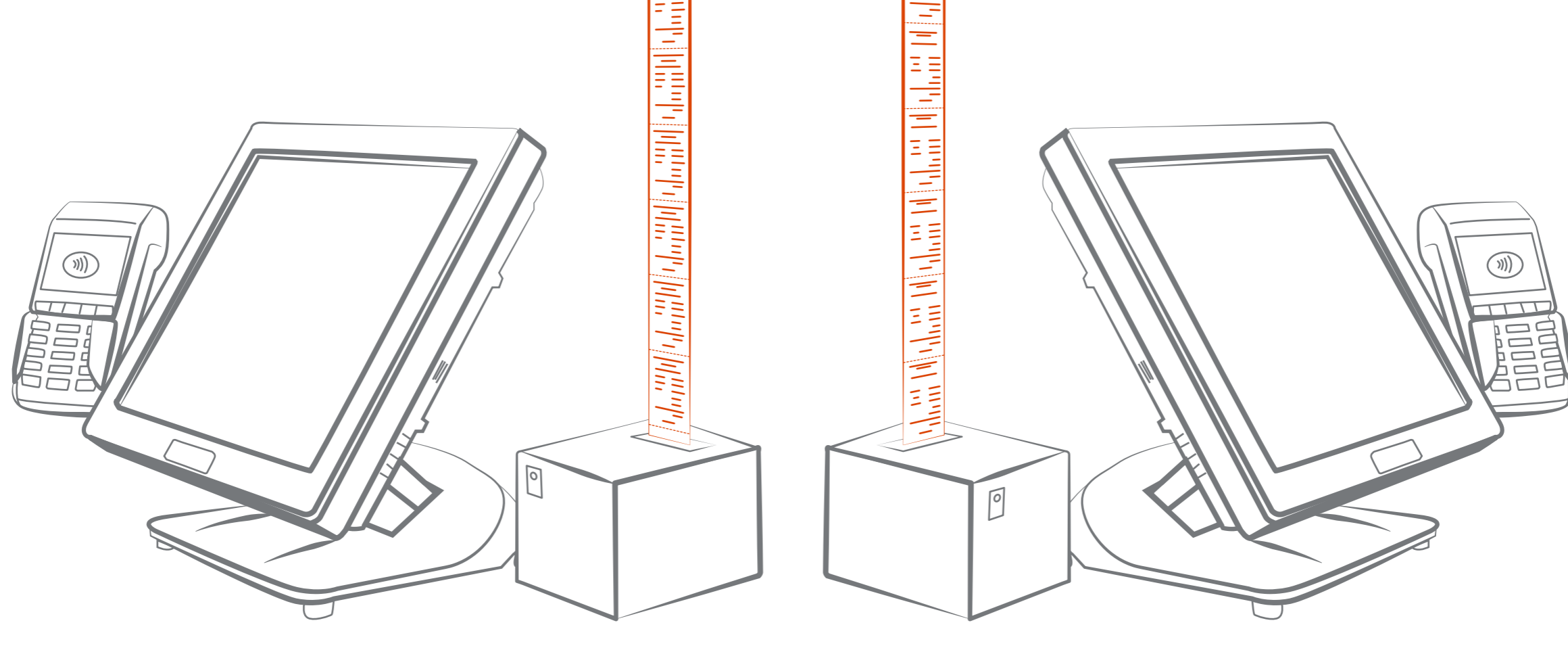


CHRISTMAS BUSINESS 2017

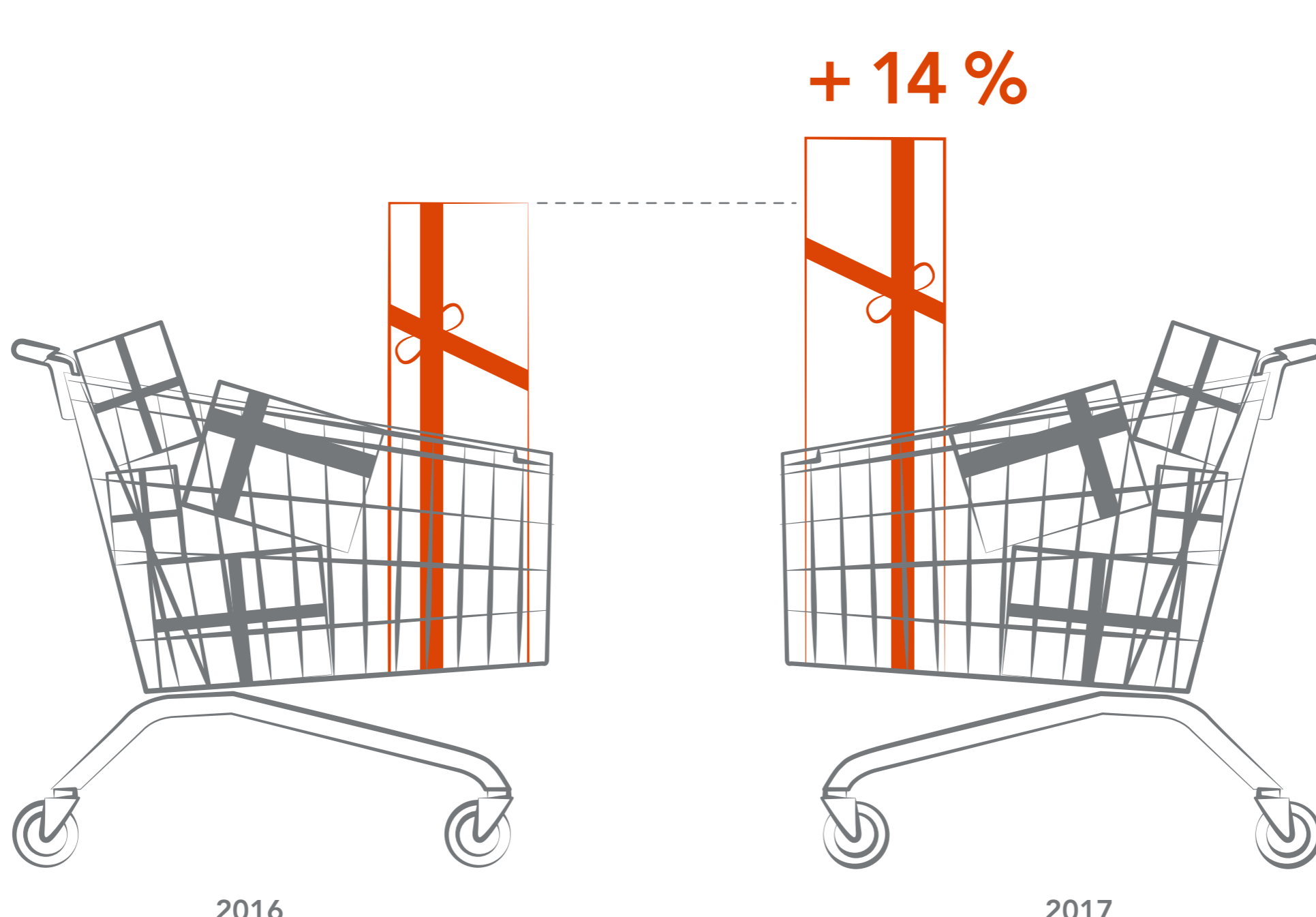
NUMBERS AND TRENDS IN RETROSPECT

CREDIT CARD PAYMENTS IN DECEMBER

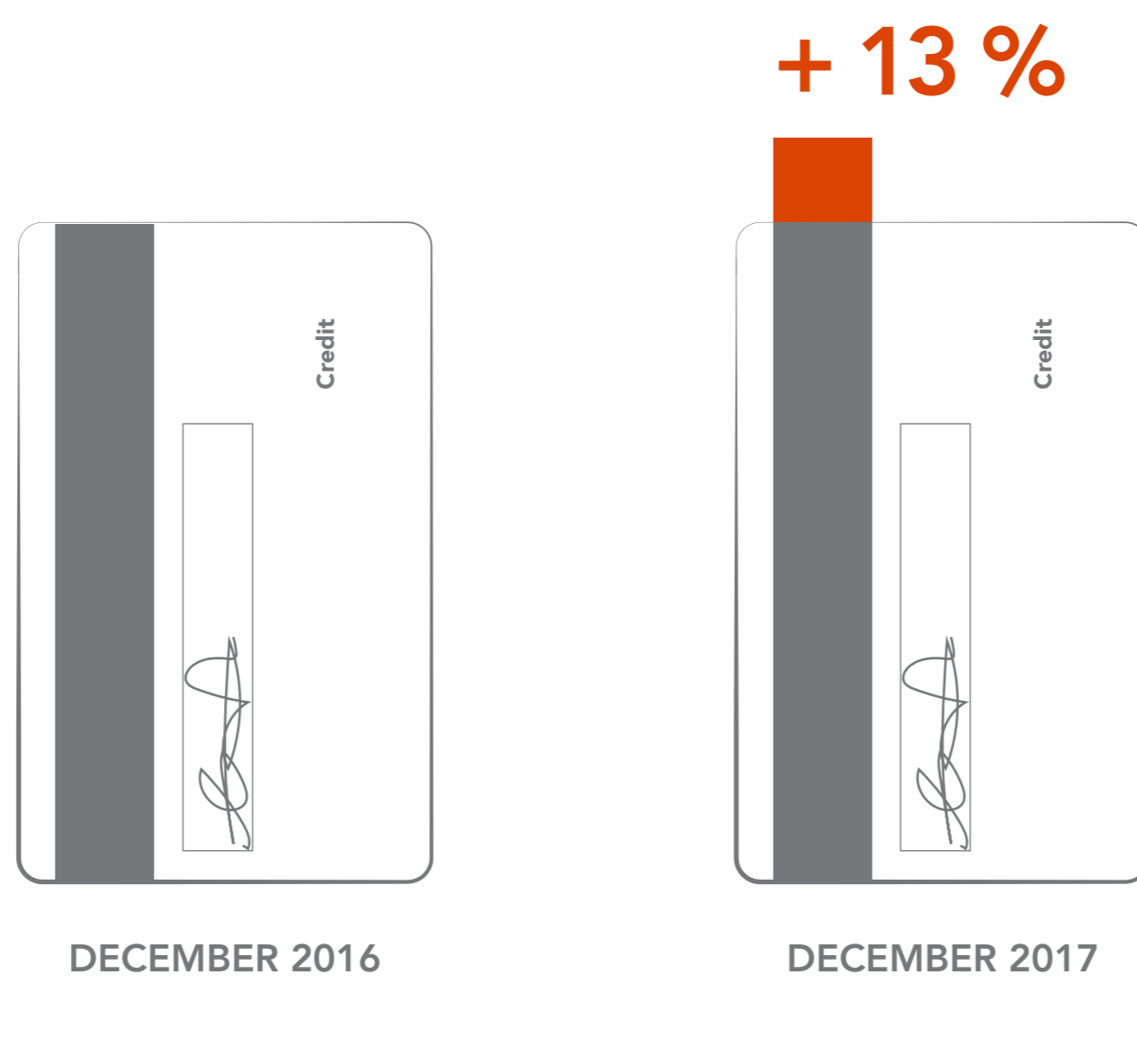
SALES DEVELOPMENT OF THE TEN LARGEST CONCARDIS CLIENTS FROM THE RETAIL SECTOR



SALES DEVELOPMENT OF THE TOP TEN CONCARDIS RETAILERS ON THE FIRST THREE SATURDAYS IN DECEMBER



DEVELOPMENT OF CREDIT CARD PAYMENTS OF THE TOP TEN CONCARDIS RETAILERS



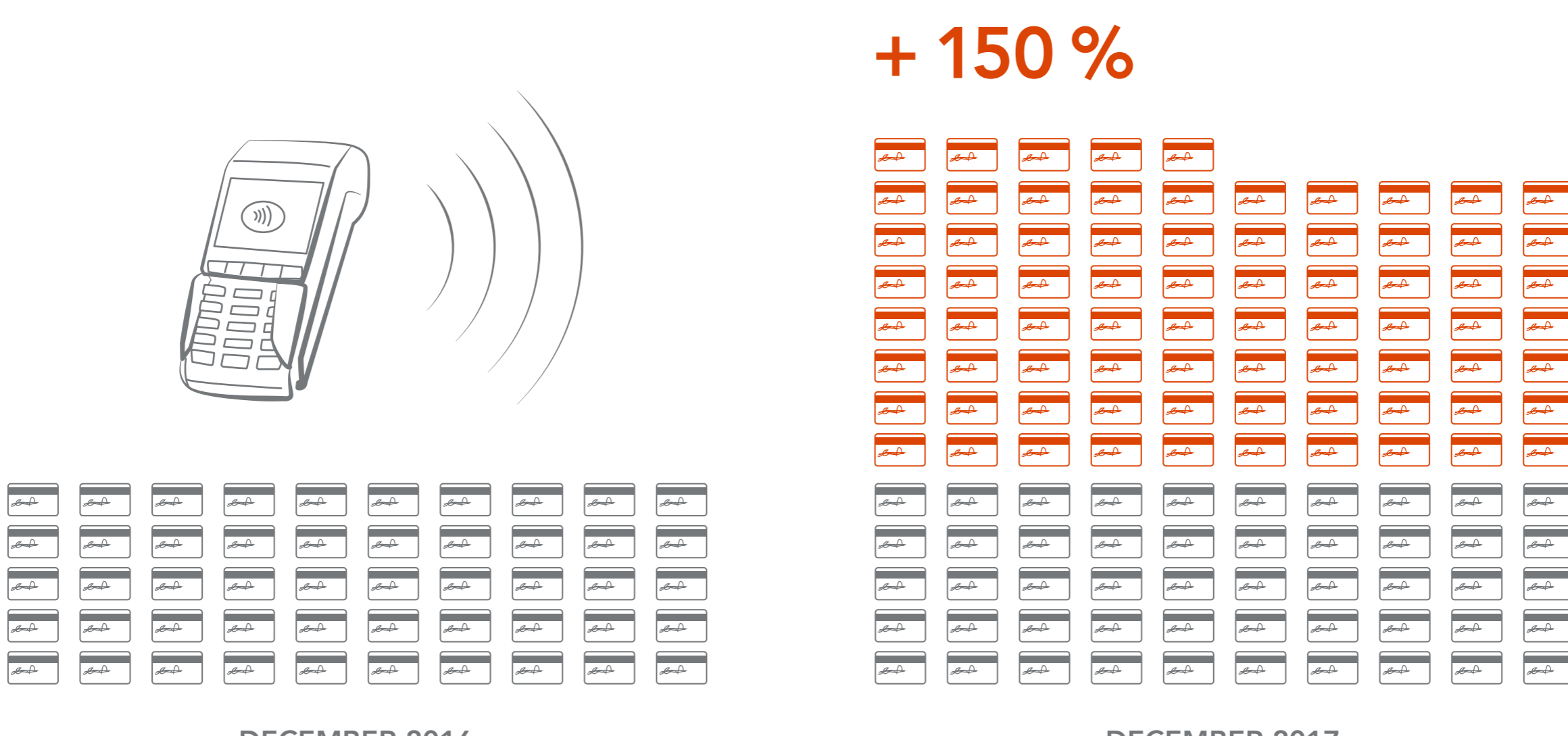
BLACK FRIDAY

YEAR-ON-YEAR COMPARISON OF THE SALES DEVELOPMENT OF THE TOP TEN CONCARDIS RETAILERS



CONTACTLESS PAYMENTS

DEVELOPMENT OF THE NUMBER OF CONTACTLESS PAYMENTS OF THE TOP TEN CONCARDIS CONTACTLESS CLIENTS FROM THE RETAIL SECTOR



ALIPAY

ALIPAY WAS IMPLEMENTED AT MORE THAN 250 CONCARDIS CLIENTS WITH MORE THAN 1,000 POINTS OF ACCEPTANCE



TO A SUCCESSFUL CHRISTMAS SEASON 2018!

